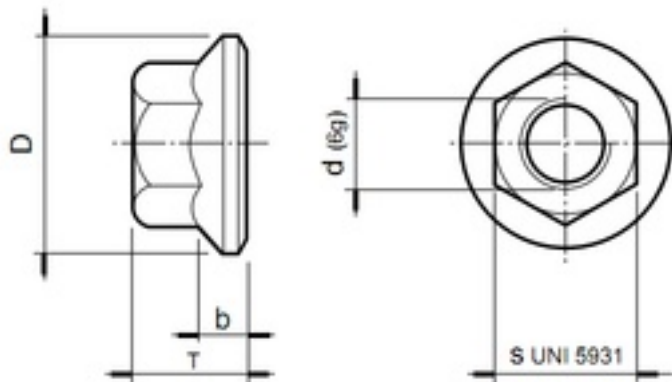




<http://K-NUTS.com>

[info@K-NUTS.com](mailto:info@K-NUTS.com)

WILLOCX ENGINEERING BVBA  
 SINT AMANDSSTRAAT 33 | 9000 GENT | BELGIUM  
 TEL +32 496 05 54 67  
 VAT BE0841951378



Partn°	Thread size	Pitch	Height (T)	Base (b)	SW (s)	Diameter (D)
KHX-M3-050	M3	0,5 mm	3,0 mm	1,2 mm	4 mm	6,0 mm
KHX-M4-070	M4	0,7 mm	3,8 mm	1,6 mm	5 mm	8,0 mm
KHX-M5-080	M5	0,8 mm	5,0 mm	2,0 mm	6 mm	9,0 mm
KHX-M6-100	M6	1,0 mm	5,3 mm	2,2 mm	7 mm	10,5 mm
KHX-M7-100	M7	1,0 mm				
KHX-M8-100	M8	1,0 mm	7,0 mm	2,3 mm	10 mm	13,5 mm
KHX-M8-125	M8	1,25 mm	7,0 mm	2,3 mm	10 mm	13,5 mm
KHX-M10-100	M10	1,0 mm	8,5 mm	3,0 mm	12 mm	16,5 mm
KHX-M10-150	M10	1,5 mm	8,5 mm	3,0 mm	12 mm	16,5 mm
KHX-M12-150	M12	1,5 mm	10,7 mm	4,3 mm	14 mm	19,8 mm
KHX-1-4-28UNF	1/4"	28 TPI				
KHX-5-16-24UNF	5/16"	24 TPI				
KHX-3-8-24UNF	3/8"	24 TPI				

**Material:** DIN 1.7220 (34CrMo4)  
 AISI 4135/4137

**Finish:** Cadmium-plated  
 MoS2 low friction coating

**Strength class:** 1100MPa

**Standards:** Aerospace Standards LN9338  
 LN65409

**Click here to  
 request  
 a quotation**

*On request also available without cadmium and Cr(VI) finish.*